

L2X
MIKRO

High performance hot runner system for small injection moulding machines

Direct nozzle heating for more process reliability



6-drop hot half with external connections for open gating



4-drop hot half for valve gating

L2X
MIKRO

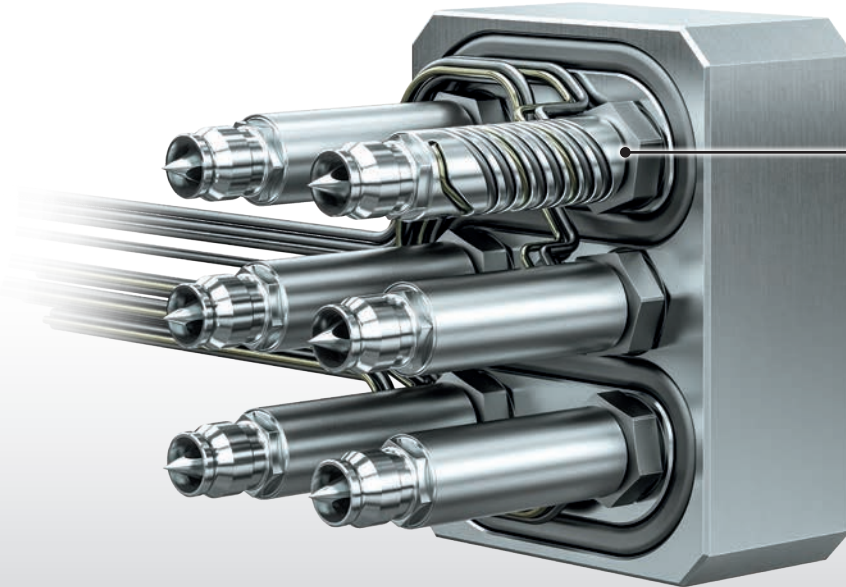
The solution for smallest shot weights and technical plastics

- +** **Reliable processing of technical resins**
Tip inserts with powerful direct heating and separate temperature control for reliable processing of technical resins.
- +** **Problem-free processing of thermally sensitive materials**
Small melt volume in the system due to short flow path lengths.
- +** **Designed for use on BOY[®], WITTMANN BATTENFELD or *Babyplast[®] machines**
Easy to integrate with extremely compact system dimensions. Available with different standardised nozzle layouts or as complete hot halves in standardised sizes.
- +** **Leakproof screw connection between nozzles and manifold**
Simple drop-in installation.
- +** **L2X connecting technology for precise positioning of the connection cables**
Minimised space requirement for installation.
- +** **Shot weight per nozzle from 0.01 g****

* Only version for open gating ** Depending on resin

Open gating

- Manifold dimensions 61 x 48 mm
- Available as 2-, 4- or 6-drop system, either as ready-to-install unit (manifold with pre-installed nozzles) or as hot half

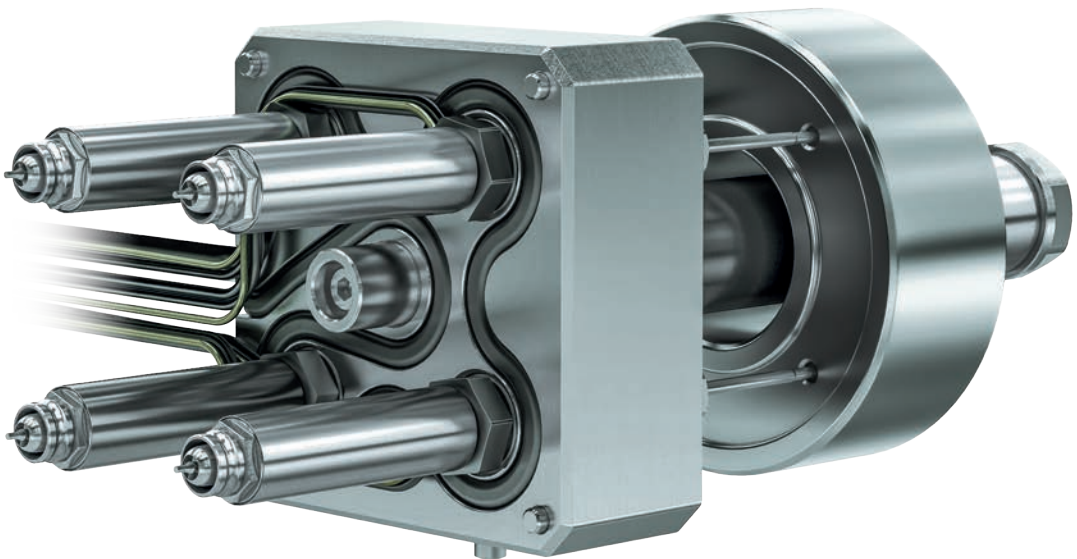


■ Powerful

All versions feature direct nozzle heating for high thermal performance and reliable processing of technical resins.

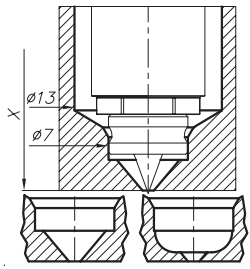
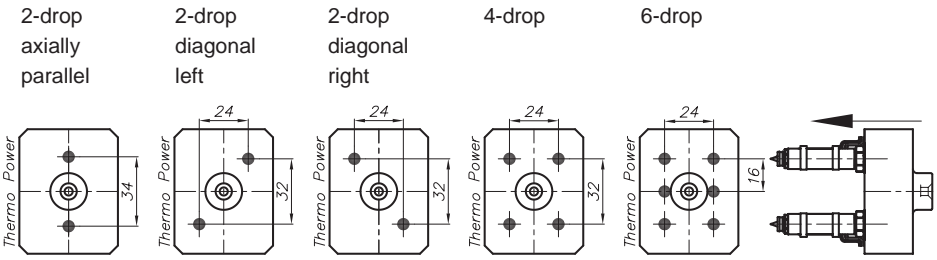
Valve gating

- Manifold dimensions 59 x 59 mm
- Compact synchronous plate technology for simultaneous valve pin actuation
- Available as complete hot half in 4-drop version

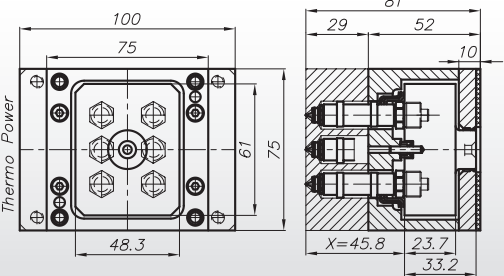


L2X-Mikro system for open gating

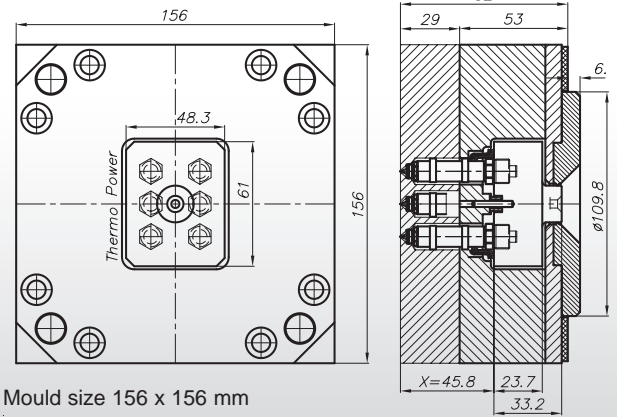
Available nozzle layouts



Available as ready-to-install unit (manifold with pre-installed nozzles) or as hot half in two standardized sizes:



Mould size 100 x 75 mm
e.g. for Babyplast® injection moulding machines

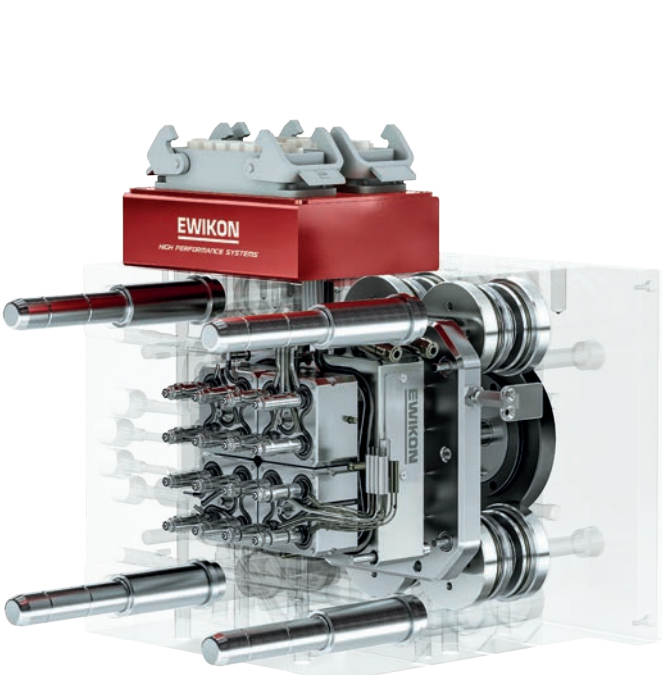


Mould size 156 x 156 mm
e.g. for BOY® injection moulding machines

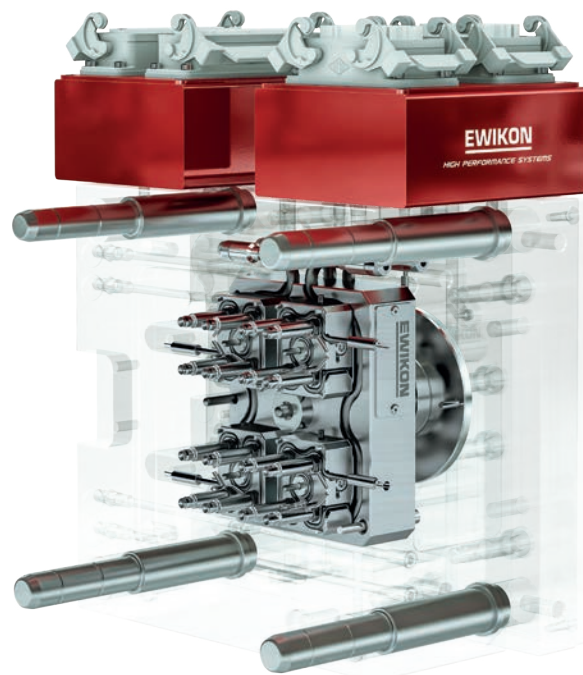
z388

Use in standard mould designs

In order to realize multi-cavity systems with standard moulds, several of the L2X-Mikro manifold modules can be combined with a bridge manifold. In valve gate systems all valve pins are actuated by one common synchronous plate.



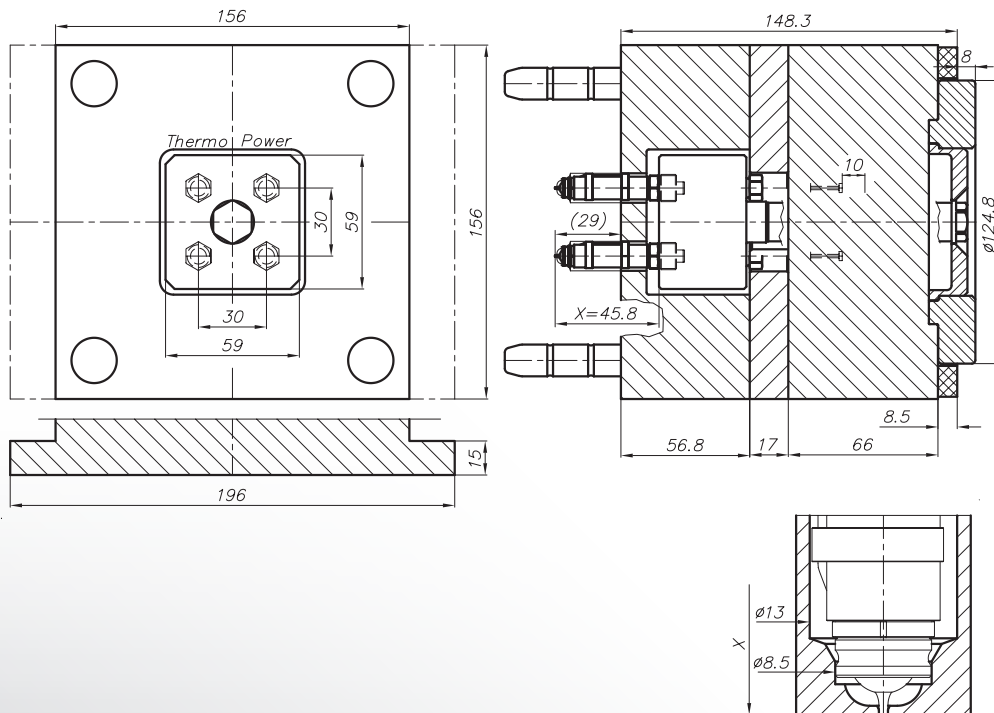
16-drop valve gate system



16-drop system for open gating

L2X-Mikro valve gate system

Available as 4-drop hot half with a mould size of 156 x 156 mm



Item numbers

L2X-Mikro system for open gating

Nozzle layout	Hot half 156 x 156 mm	Hot half 100 x 75 mm	Manifold with pre-installed nozzles
2-drop axially parallel	HM2041	HM1041	22600-41
2-drop diagonal left	HM2042	HM1042	22600-42
2-drop diagonal right	HM2043	HM1043	22600-43
4-drop	HM2044	HM1044	22600-44
6-drop	HM2045	HM1045	22600-45

L2X-Mikro valve gate system

Nozzle layout	Hot half 156 x 156 mm		
4-drop	HMNV0104		

EWIKON
Heißkanalsysteme GmbH
Siegener Straße 35
35066 Frankenberg
Tel: +49 6451 501-0
E-Mail: info@ewikon.com
www.ewikon.com

Your EWIKON partner:

